



- **Casambi LED-/Retrofit-Dimmer**
- R,L,C including LED Retrofit
- AdaptiveDIM (*)
- Load number indicator
- Control with Casambi and push-button
- Soft-Off, Fadetime
- Rich diagnostic tools

Functions

Digital leading edge and trailing edge phase dimmer with automatic load detection for a single dimmed phase for a max. load of 380VA. Enabled with one programmable input, local control is so much easier.

Casambi wireless operation

Casambi App automatically identifies the device and can be integrated into existing networks. All functions triggered by the buttons are individually configurable.

AdaptiveDIM (*)

The device has been specially developed to meet the modern requirements of LED lighting. Commissioning is very easy: Connect the target load, switch on, ready.

The AdaptiveDIM process automatically determines the stable lowest brightness and the ideal characteristic curve during the initial setup. There is no need to worry about dimming procedures or technical parameters.

Installation

Installation housings for dry interiors for installation or mounting in walls, ceilings or other cavities.

Due to the compact dimensions and the rounded shape, an easy installation is possible for all feed-through openings from 68 mm pitch circle.

The strain relief and terminal cover saves the need of junction boxes or other enclosures.



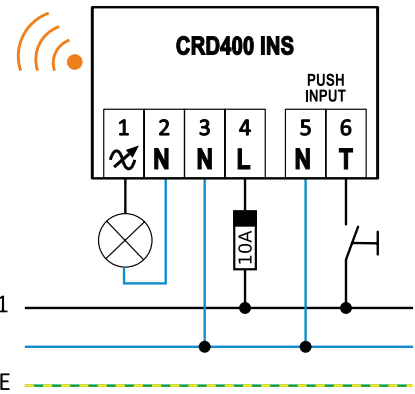
Easy commissioning and control by Casambi App

CRD400 INS

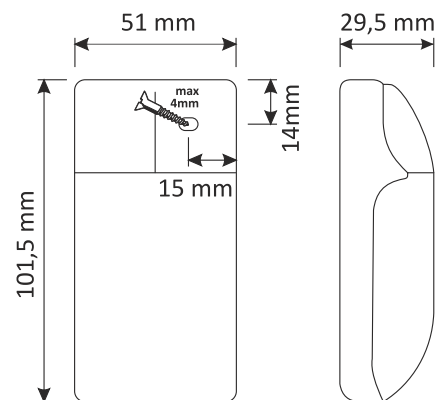
Item number: 10.273

Specification		CRD400 INS
Power supply		220 ... 240V AC 50/60Hz
Rated power		4 ... 380 VA
Output power		0 ... +40°C Connected load 100% +40 ... +50°C Note derating
Power consumption	on idle / switching	0,6W / 1,8W at full load
Terminals, Wiring	Screw terminal wiring Striping length Tightening torque	single-wire: 0,2 ... 4 mm ² fine-wire: 0,2 ... 2,5 mm ² 6 mm (+/- 0,5 mm) max. 0,2 Nm
Operation- and indication units		Device Button, Status-LED
Protection circuits		Short circuit with auto restart, over temperature (derating), over current, over Voltage
Environment	Type of protection housing	IP20, Class II
	Temperature ambient (ta)	0° ... +50° Celsius
	Temperature critical (tc)	70° Celsius
	Humidity	5 - 80% non-condensing
Casambi	App available for Android and iOS	Bluetooth Low Energy (BLE)
Alternate control	230V AC	Casambi enabled push-button input
Approbation		CE
Installation		Installation housing Licensed under DM/053379 of Tridonic
Mounting		Installation in ceiling, wall or luminaire
Dimensions	(Height x width x depth) mm	29,5 x 51x 101,5 mm
	Weight	84g
Customs tariff number	HS-Code/ TARIC-Number	85365080
Co-applicable documents		Installation instructions; manual

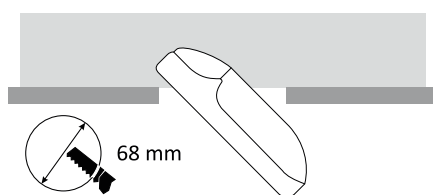
Important: Notice all safety instructions and related documents for Installation and operation. Names, trademarks, products or companies can be claimed. All rights are on their respective owners.



Connection diagram



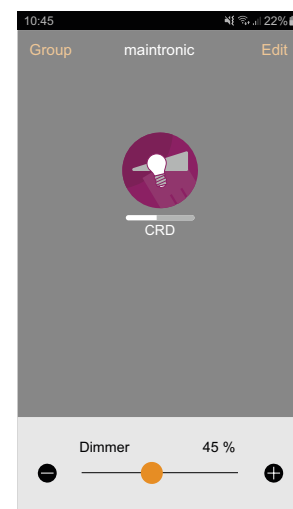
Dimensions



Ceiling installations



Wiring with strain relief



Screenshot App