



- **DIN module for the connection and power supply of 2 CASAMBI SALVADOR modules**
- **Compatible with DIN top-hat rail supports to EN50022.**
- **Simply put into operation via CASAMBI.**

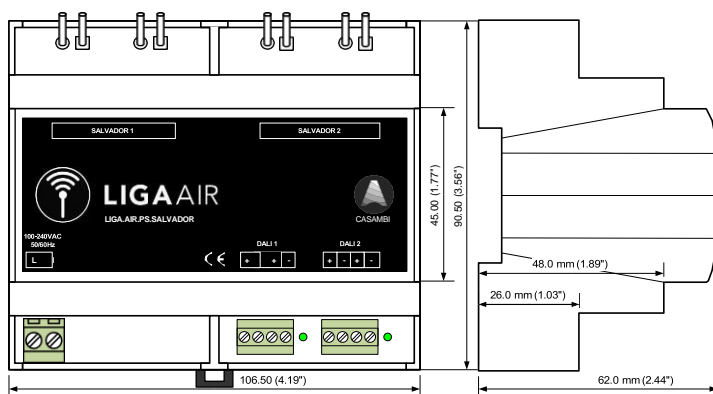
The LIGA.AIR.PS.SALVADOR DIN module is connected directly to 100-240VAC and controlled using the CASAMBI app.

The module contains 2 powered DALI networks (DALI 1 and DALI 2), each of which can be loaded up to a maximum of 130mA, which corresponds to a capacity of around 64 DALI devices.

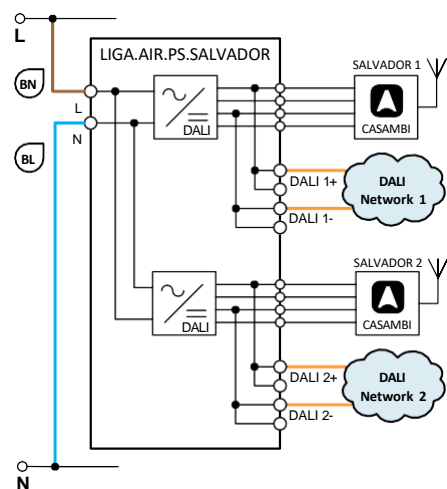
The module also has screw terminals for easy connection of the SALVADOR modules to the DALI networks.

The module is installed in an ABS DIN housing for mounting on top-hat rails in accordance with EN50022. This in the colour RAL7035 and width D6 with the dimensions 106.5 x 90.5 x 62mm.

Dimension:



Scheme:



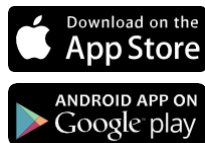
Installation by a qualified electrician in accordance with local regulations!



Technical data:

Dimensions (D x W x H)	106.5 x 90.5 x 62mm
weight	190g
Colours	DIN housing light grey RAL7035
Mounting	Beam top hat rail according to EN50022
Ambient conditions	Operation: Temperature -20 ... 50°C, humidity < 85%rH Storage, transport: temperature -25 ... 65°C, humidity < 95%rH
Degree of protection / protection class	IP20 according to EN-60529 / protection class II
Connections	(L, N) Screw terminal: 2.5mm ² max (AWG14) (DALI 1, DALI 2) Screw terminal: 1.5mm ² max (AWG16) (SALVADOR1, 2) Wires: Connection to spring terminals of the SALVADOR modules
Operating voltage / power	100-240VAC / 50-60Hz / 10W
DALI output load	2x 17V / 130mA max. = approx. 64 devices (per DALI network)
Displays	2 LEDs green: operating status DALI 1 and DALI 2
Profile	profiled
Standards	Low Voltage Directive 2014/35/EU according to EN 60669-2-1 EMC Directive 2014/30/EU
CASAMBI module standards	Bluetooth Wireless Control
Switch-on times	Can be set using the Casambi app (App Store, Google Play)
Applications	Switching on and dimming loads, lamps, etc.
Scope of delivery	1 DALI PS module (without CASAMBI SALVADOR modules)

Kompatible Geräte:



Reichweite:

CASAMBI verwendet die MESH-Netzwerk-Technologie. Jedes Gerät verhält sich wie ein Repeater und frischt das empfangene Bluetooth Signal für die folgenden Geräte auf.

Grössere Reichweiten können also mit weiteren CASAMBI Geräten erzielt werden.

Die Reichweite hängt auch stark von der Umgebung und Hindernissen wie Wänden und Baumaterialien ab.

