



- Smallest I/O module directly powered by 100VAC to 240VAC with 4 inputs and 8 outputs.
- Low power consumption, 0.2 Watt.
- Simply operates with Casambi.

The I/O module LIGA.AIR.4IN.8OUT.240 is controlled with the Casambi app. It is directly connected to 230VAC and has 4 insulated inputs for pushbuttons with dry contacts and 8 digital outputs for 48VDC and a total, fused current of 400mA.

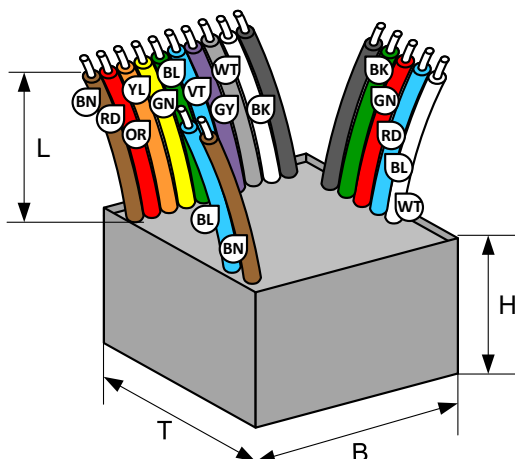
Each output is protected by a diode for the operation of inductive loads such as DC-relays etc. For this operation, the common diodes cathodes (COM DK) need to be connected to the power source of the relays. (Shown below in the circuit examples: Connection from positive pole of U2 to COM DK.)

**When using multiple power supplies, the supply connected to COM DK must have the highest voltage of all, or a discharge through the internal diodes will happen and may damage the module.**

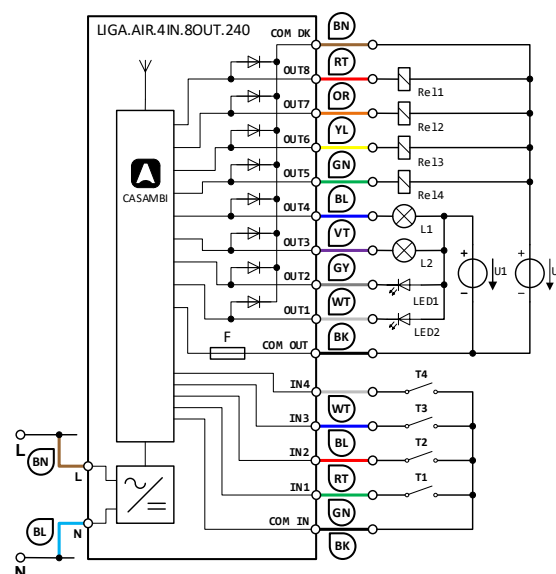
The entire module is encapsulated in a black ABS housing and has the dimensions of 38 x 38 x 27mm. The compact housing design allows a simple installation in flush-mounted boxes or in a cable duct.

**For scene programming, always all 8 outputs are switched on or off according to the preset states. If the module is operated with Classic firmware, only 4 outputs (1-4) will be controllable.**

#### Dimensional drawing:



#### Schematics and circuit examples:



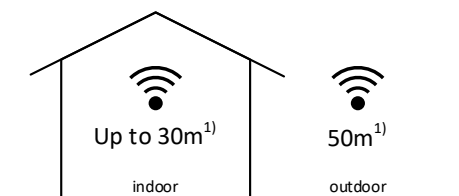
**Installation only by a professional electrician according to the local regulations!**

**Technical specifications:**

Dimension (T x B x H)	38 x 38 x 27mm
Weight	90g
Color	Enclosure black
Mounting	In flush-mounted boxes or cable ducts etc.
Environmental conditions	Operation: Temperature -20 ... 50°C, humidity < 85%rH Stock: Temperature -25 ... 65°C, humidity < 95%rH
Protection type / Protection class	IP64, EN-60529 / Appliance Class II
Connections	Flexible 2 x 0.5mm <sup>2</sup> (AWG20), L = 150mm: Brown (BN): L, phase conductor, blue (BL): N, neutral conductor  Flexible flat ribbon cable 5 x 0.5mm <sup>2</sup> (AWG20), L = 150mm: Black (BK): COM IN, Green (GN): IN1, red (RT): IN2, blue (BL): IN3, white (WT): IN4  Flexible flat ribbon cable 10 x 0.5mm <sup>2</sup> (AWG20), L = 150mm: Black (BK): COM OUT, white (WT): OUT1, gray (GY): OUT2, violet (VT): OUT3, blue (BL): OUT4, green (GN): OUT5, yellow (YL): OUT6, orange (OR): OUT7, red (RT): OUT8, brown (BN): COM DK, protecting diodes for the operation of inductive loads.
Power supply / Frequency	100-240VAC, 50-60Hz
Power consumption	0.2 Watts max
Standards	Low Voltage Directive (LVD) 2014/35/EU, EN 60669-2-1 Electromagnetic compatibility (EMC) 2014/30/EU
CASAMBI Modul Standards	Bluetooth 4.0 Wireless Control
Dimming and switching	Configurable with the Casambi application (App Store, Google Play)
Applications	Switching and dimming of loads e.g. lamps Dimming of DYN Color etc.
Scope of delivery	1 I/O module

**Compatible devices:****iPhone 4S** or later**iPad 3** or later**iPod Touch 5th gen** or later.**Android 4.4 KitKat** or later devices

produced after 2013 with full BT 4.0 support.

**Range:**

Casambi uses mesh network technology so each CBU-ASD acts also as a repeater.

Longer ranges can be achieved by using multiple Casambi units.

Range is highly dependent on the surrounding and obstacles, such as walls and building materials.

