



- **Smallest input module directly powered by 240VAC, 8 inputs and 8 LED outputs.**
- **Low power consumption, 0.2 Watt.**
- **Simply operates with CASAMBI.**

The LIGA.AIR.8T.8LED.240 input module is controlled with the CASAMBI app and supplied directly with 230 VAC. The 8 LED outputs indicate the last selected input (button).

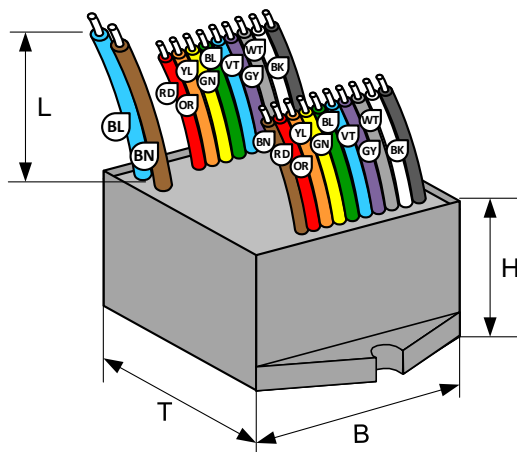
The 8 inputs will be activated by potential-free buttons, which can be powered directly with the COM IN connection.

The LEDs can be powered directly via the internal supply voltage (24VDC) using the COM OUT connection and are protected with a maximum total current of 200mA.

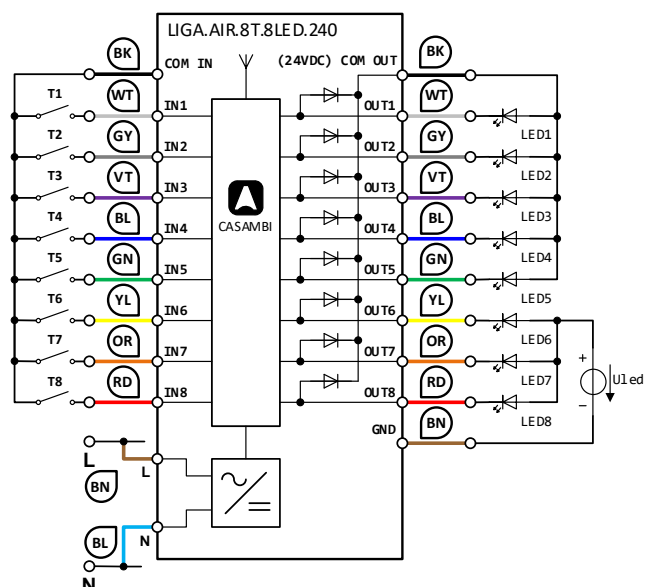
With external LED power supply, the LEDs and power supply Uled are connected to the module as shown below (LED6 to LED8). The external supply voltage must not exceed 48VDC, the maximum current is fused at 200mA.

The module is encapsulated in a black ABS housing and measures 44 x 44 x 23mm. This compact housing design allows easy installation in flush-mounted boxes or in a cable duct.

Dimensional drawing:



Schematics and circuit examples:



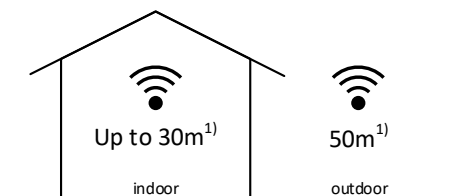
Installation only by a professional electrician according to the local regulations!

**Technical specifications:**

Dimension (T x B x H)	44 x 44 x 23mm
Weight	85g
Color	Enclosure black
Mounting	In flush-mounted boxes or cable ducts etc.
Environmental conditions	Operation: Temperature -20 ... 50°C, humidity < 85%rH Stock: Temperature -25 ... 65°C, humidity < 95%rH
Protection type / Protection class	IP64, EN-60529 / Appliance Class II
Inputs (Dry contacts)	Flexible flat ribbon cable 9 x 0.5mm ² (AWG20), L = 150mm: Black (BK): COM IN, white (WT): IN1, gray (GY): IN2, violet (VT): IN3, blue (BL): IN4, green (GN): IN5, yellow (YL): IN6, orange (OR): IN7, red (RT): IN8.
Outputs (LEDs)	Flexible flat ribbon cable 10 x 0.5mm ² (AWG20), L = 150mm: Black (BK): COM OUT, white (WT): OUT1, gray (GY): OUT2, violet (VT): OUT3, blue (BL): OUT4, green (GN): OUT5, yellow (YL): OUT6, orange (OR): OUT7, red (RT): OUT8, brown (BN): COM DK, protecting diodes for the operation of inductive loads.
Power supply connection	Flexible 2 x 0.5mm ² (AWG20), L = 150mm: Brown (BN): L, phase conductor, blue (BL): N, neutral conductor
Power supply / Frequency	100-240VAC, 50-60Hz
Power consumption	0.2 Watts max
Standards	Low Voltage Directive (LVD) 2014/35/EU, EN 60669-2-1 Electromagnetic compatibility (EMC) 2014/30/EU
CASAMBI Modul Standards	Bluetooth 4.0 Wireless Control
Dimming and switching	Configurable with the CASAMBI application (App Store, Google Play)
Applications	Switching and dimming of loads e.g. lamps Dimming of DYN Color etc.
Scope of delivery	1 I/O module

Compatible devices:**iPhone 4S** or later**iPad 3** or later**iPod Touch 5th gen** or later.**Android 4.4 KitKat** or later devices

produced after 2013 with full BT 4.0 support.

Range:

CASAMBI uses mesh network technology so each CBU-ASD acts also as a repeater.

Longer ranges can be achieved by using multiple CASAMBI units.

Range is highly dependent on the surrounding and obstacles, such as walls and building materials.

