



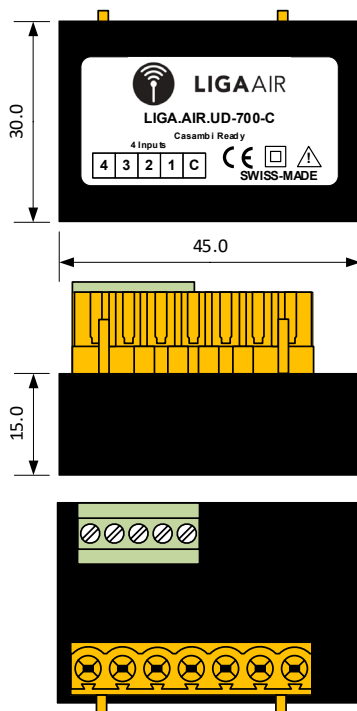
- **CASAMBI adapter with 4 button inputs for the DIN universal dimmer UD-700-X2-DALI-C**
- **2 universal dimming channels with 700W each, for flicker-free dimming of LED lamps.**
- **Automatic detection of the load and oscilloscope function**
- **Compact total dimensions for mounting the DIN rails in the distance 125mm.**
- **Just put into operation by CASAMBI.**

The CASAMBI adapter LIGA.AIR.UD-700-C is simply plugged into the DIN Universal Dimmer UD-700-X2-DALI-C. This allows the dimming of the 2 universal channels with 700W each with the Casambi app.

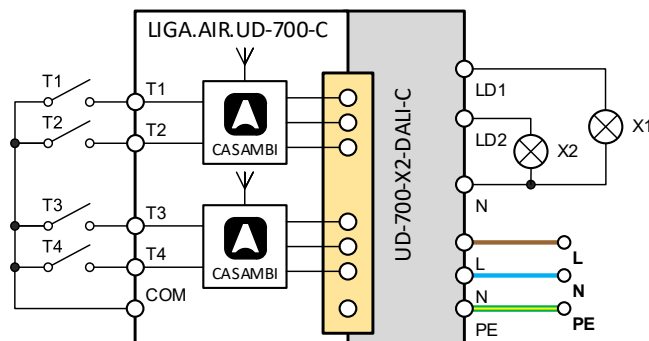
The module includes a detachable terminal block for 4 dry contact push buttons (T1-T4). The functions of the push buttons are freely programmable in the CASAMBI app.

The module is potted in a compact housing. The overall dimensions of the Universal Dimmer with the plugged in CASAMBI adapter allows the mounting of DIN rails at 125mm.

Dimensional drawing:



Schematics:



Installation only by a professional electrician according to the local regulations!

**Technical specifications:**

Dimension (T x B x H)	30 x 45 x 15mm
Weight	40g
Color	Potting enclosure, black
Mounting	As an adapter, plugged into the DIN universal dimmer UD-700-X2-DALI-C
Environmental conditions	Operation: Temperature -20 ... 50°C, humidity < 85%rH Stock: Temperature -25 ... 65°C, humidity < 95%rH
Protection type / class	IP30, EN-60529 / Appliance Class II
Connections	Push buttons contacts input (dry contact) (4 Inputs: C, T1-T4) detachable terminal block up to a conductor diameter of 1.5mm ² (AWG22).
Standards	Low Voltage Directive (LVD) 2014/35/EU, EN 60669-2-1 Electromagnetic compatibility (EMC) 2014/30/EU
CASAMBI Modul Standards	Bluetooth Wireless Control
Switching times	Configurable with the Casambi application (App Store, Google Play)
Applications	Switching and Dimming on of loads e.g. lamps etc.
Scope of delivery	1 Pcs. CASAMBI-Adapter LIGA.AIR.UD-700-C

Compatible devices:**Range:**

CASAMBI uses mesh network technology so each CBU-ASD acts also as a repeater.

Longer ranges can be achieved by using multiple CASAMBI units.

Range is highly dependent on the surrounding and obstacles, such as walls and building materials.

