



- **Smallest 2 relays module for 230VAC up to 10 Amps. switching current**
- **Smallest power consumption, 0.7 Watts (standby).**
- **Simply operates with Casambi.**

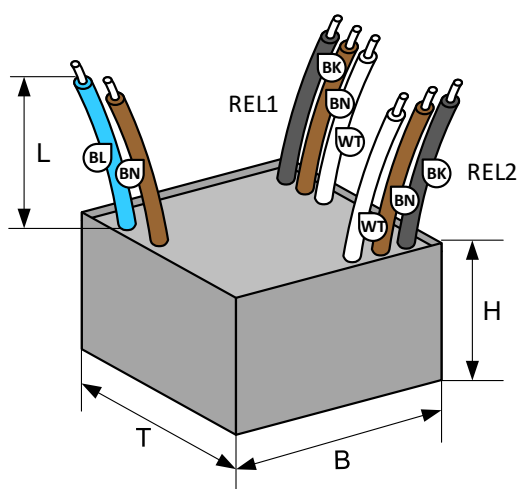
The relay module LIGA.AIR.2.REL.240 is controlled by the Casambi application.

The module is directly connected to 240VAC and its relays contacts has the capability to independently switch currents up to 10 Amps.

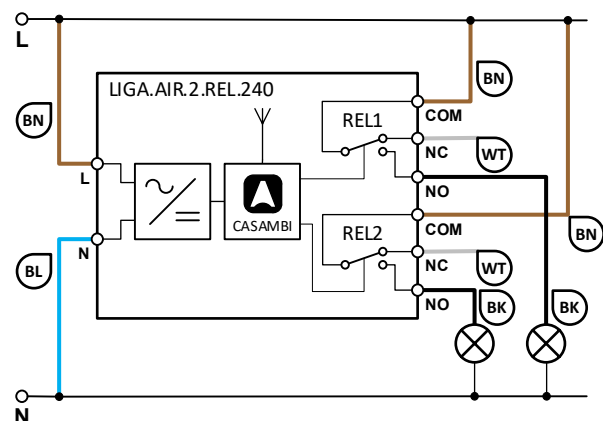
The module is capsuled in a black ABS housing with the dimensions of 50 x 50 x 25mm.

The extremely compact design of the housing allows an easy installation in flush-mounted boxes or in a cable duct.

Dimensional drawing:



Schematics:



Installation only by a professional electrician according to the local regulations!

**Technical specifications:**

Dimension (T x B x H)	50 x 50 x 25mm
Weight	120g
Color	Enclosure black
Mounting	In flush-mounted boxes or cable ducts etc.
Environmental conditions	Operation: Temperature -20 ... 50°C, humidity < 85%rH Stock: Temperature -25 ... 65°C, humidity < 95%rH
Protection type / Protection class	IP64, EN-60529 / Appliance Class II
Connections Power supply	Flexible 2 x 1mm ² (AWG17), L = 150mm: Brown (BN): L, phase conductor Blue (BL): N, neutral conductor Black (BK): LS, phase conductor switched
Connections relay 1 and relay 2	Flexible (2x) 3 x 1mm ² (AWG17), L = 150mm: Brown (BN): COM, common contact White (WT) NC, normally closed Black (BK): NO, normally opened
Power supply / Frequency	230VAC, 50Hz
Power consumption	0.7W standby, 1.8W max
Relay output	10 Amp. / 230VAC (note inrush current of load)
Standards	Low Voltage Directive (LVD) 2014/35/EU, EN 60669-2-1 Electromagnetic compatibility (EMC) 2014/30/EU
CASAMBI Modul Standards	Bluetooth Wireless Control
Switching times	Configurable with the Casambi application (App Store, Google Play)
Applications	Switching on of loads e.g. lamps etc.
Scope of delivery	1 Relay Module

Compatible devices:**Range:**

Casambi uses mesh network technology so each CBU-ASD acts also as a repeater.

Longer ranges can be achieved by using multiple Casambi units.

Range is highly dependent on the surrounding and obstacles, such as walls and building materials.

