



- Compact DIN rail module with 3 x 2 relays 240VAC/10A and 3 push button inputs
- Compatible with DIN rail supports according to EN 50022.
- Simply operates with CASAMBI.

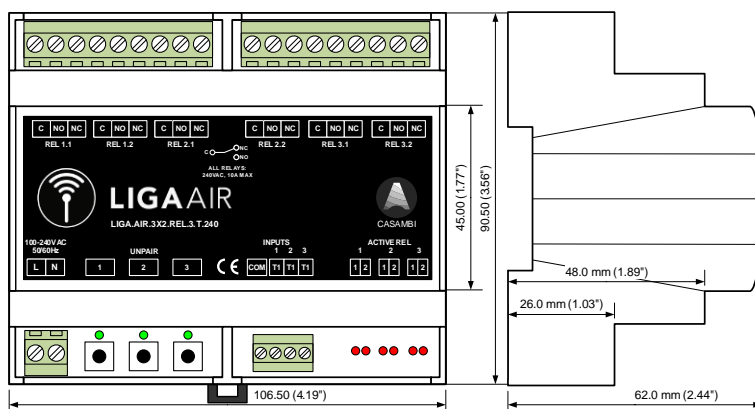
The relay module LIGA.AIR.3X2.REL.3.T.240 is supplied with 240VAC and controlled with the CASAMBI app. The module contains 6 relays (REL1.1 to REL1.3 and REL2.1 to REL2.3) with closing contacts (SPST) and 2 relays (REL1.4, REL2.4) with changeover contacts (SPTD) with a switching capacity of 240VAC / 10A each. The switching states of the relays are displayed with 8 LEDs «ACTIVE REL» (1.1 to 1.4 and 2.1 to 2.4).

The module also has 4 inputs for dry contact push buttons, which can be freely programmed in the CASAMBI APP. There are 5 different, pre-programmed profiles for operating the relays.

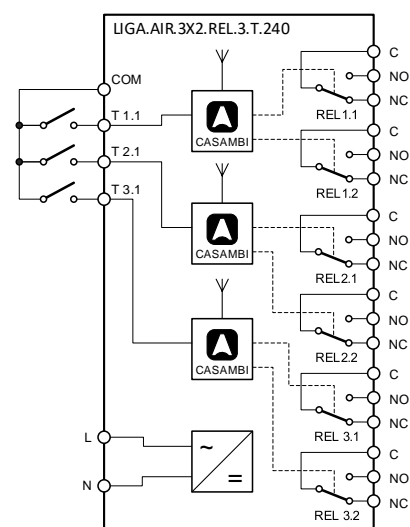
For scene programming, always all 4 relays are switched on or off according to the preset states.

The module is built into an ABS DIN rail enclosure for mounting on top DIN rails according to EN50022. It is in the color RAL7035 and the width D6 with the dimensions 106.5 x 90.5 x 62mm.

Dimensional drawing:



Schematics:



Installation only by a professional electrician according to the local regulations!

**Technical specifications:**

Dimension (T x B x H)	106.5 x 90.5 x 62mm	
Weight	280g	
Color	DIN rail enclosure, light gray (RAL7035)	
Mounting	On top of DIN rails according to EN50022	
Environmental conditions	Operation: Temperature -20 ... 50°C, humidity < 85%rH Stock: Temperature -25 ... 65°C, humidity < 95%rH	
Protection type / class	IP44, EN-60529 / Appliance Class II	
Connections	(L, N) Screw terminal: 2.5mm ² max. (AWG14) (REL1.1 to REL3.2) Screw terminal: 2.5mm ² max. (AWG14) (COM, T1.1-T3.1) pluggable screw terminal (dry contact): 1.5mm ² max. (AWG14)	
Supply / consumption	100-240VAC (50-60Hz) / 5W	
Switching capacity	Each relay 240VAC/10A. Verify the inrush current of the specific load type!	
Displays	3 LEDs green: Operation, 6 LEDs red: Relay activities ACTIVE REL (1.1 to 3.2)	
Control elements	3 Push buttons [UNPAIR]: Used to log off the module from the CASAMBI network.	
Predefined Casambi profiles:	Fixture name	Relay function
	LIGA.AIR.3X2.REL.3.T.240.L	Toggle, all relays operatable at once in the APP view FIXTURES.
	LIGA.AIR.3X2.REL.3.T.240.L.1	Toggle, all relays NOT operatable in the APP view FIXTURES.
	LIGA.AIR.3X2.REL.3.T.240.T	Momentary (for the time of trigger)
	LIGA.AIR.3X2.REL.3.T.240.T.1s	Impulse of 1 second
	LIGA.AIR.3X2.REL.3.T.240.S+T	n is the relay group 1, 2 or 3 REL n.1: Toggled, REL n.2: Momentary (for the time of trigger)
Standards	Low Voltage Directive (LVD) 2014/35/EU, EN 60669-2-1 Electromagnetic compatibility (EMC) 2014/30/EU	
CASAMBI Modul Standards	Bluetooth Wireless Control	
Switching times	Configurable with the Casambi application (App Store, Google Play)	
Applications	Switching on of loads e.g. lamps etc.	
Scope of delivery	1 Relay Module	

Compatible devices:**Range:**

CASAMBI uses mesh network technology so each CBU-ASD acts also as a repeater.

Longer ranges can be achieved by using multiple CASAMBI units.

Range is highly dependent on the surrounding and obstacles, such as walls and building materials.

