



- **Smallest relay module for 100-240VAC up to 10 Amps. switching current**
- **Smallest power consumption, 0.6 Watts max.**
- **Simply operates with Casambi.**
- **Additional inputs for 4 push buttons**

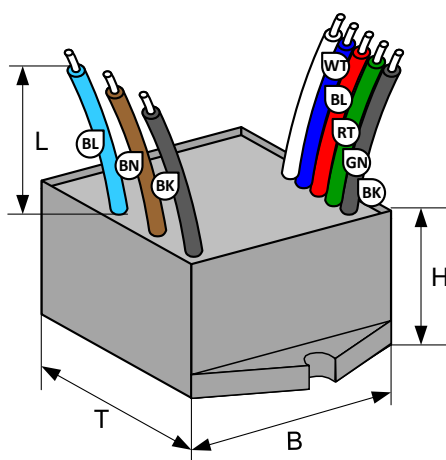
The relay module LIGA.AIR.REL.4T.240 is controlled by the Casambi application. The module has 4 inputs for isolated switches (dry contact) for additional, free programmable functionality in the Casambi application.

The module is directly connected to 240VAC and its relay output has a switching capability up to 10 Amps.

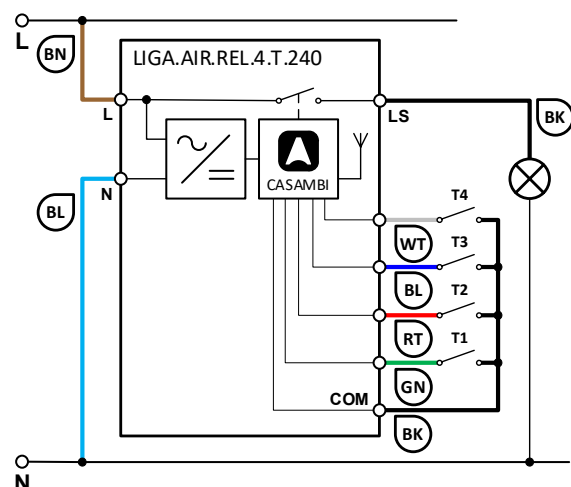
The module is capsuled in a black PC housing with the dimensions of 44 x 44 x 23mm. The attached mounting brackets for 3mm screws (or similar) can be easily removed if necessary.

The extremely compact design of the housing allows an easy installation in flush-mounted boxes or in a cable duct.

Dimensional drawing:



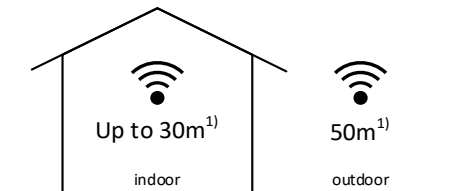
Schematics:



Installation only by a professional electrician according to the local regulations!

**Technical specifications:**

Dimension (T x B x H)	44 x 44 x 23mm
Weight	85g
Color	Enclosure black PC
Mounting	In flush-mounted boxes or cable ducts etc.
Environmental conditions, Enclosure temperature Tc	Operation: Temperature -20 ... 50°C, humidity < 85%rH Stock: Temperature -25 ... 65°C, humidity < 95%rH, Tc: 70°C
Connections	Flexible 3x 1mm ² (AWG17), L = 150mm: Brown (BN): L, phase conductor Blue (BL): N, neutral conductor Black (BK): LS, phase conductor switched
Connections 4 push button	Flexible flat ribbon cable 5x 0.34mm ² (AWG22), L = 150mm: Green (GN): T1, red (RT): T2, blue (BL): T3, white (WT): T4, black (BK): COM
Power supply / Frequency	100-240VAC, 50Hz
Power consumption	0.7W
Relay output	10 Amp. / 240VAC (note inrush current of load)
Standards	Low Voltage Directive (LVD) 2014/35/EU, EN 60669-2-1 Electromagnetic compatibility (EMC) 2014/30/EU
CASAMBI Modul Standards	Bluetooth 4.0 Wireless Control
Switching times	Configurable with the Casambi application (App Store, Google Play)
Applications	Switching on of loads e.g. lamps etc.
Scope of delivery	1 Relay Module

Compatible devices:**Range:****iPhone 4S** or later**iPad 3** or later**iPod Touch 5th gen** or later.**Android 4.4 KitKat** or later devices

produced after 2013 with full BT 4.0 support.

Casambi uses mesh network technology so each CBU-ASD acts also as a repeater.

Longer ranges can be achieved by using multiple Casambi units.

Range is highly dependent on the surrounding and obstacles, such as walls and building materials.

