



- **Smallest relay module for 12-24 VDC**
- **Relay switching current up to 10 A / 240 VAC**
- **Smallest power consumption, 0.7 Watts max.**
- **Simply operates with CASAMBI.**

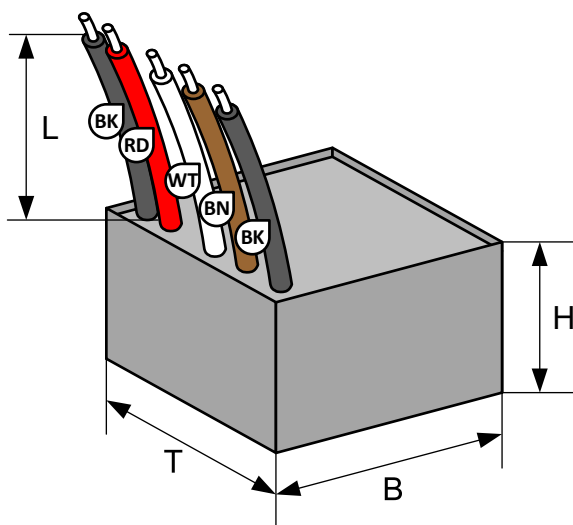
The relay module LIGA.AIR.REL.12-24 is controlled by the CASAMBI application.

The module is directly connected to 12-24 VDC and its relay output has the capability to switch currents up to 10 Amps.

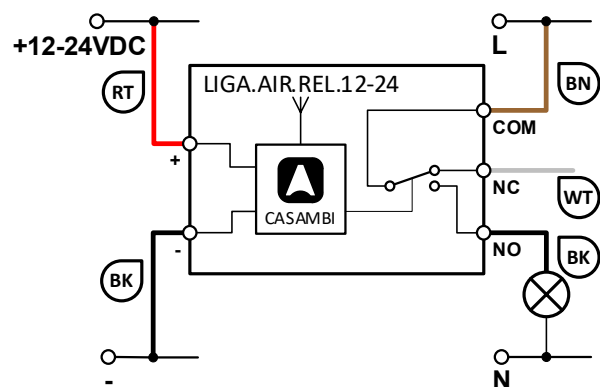
The module is capsuled in a black ABS housing with the dimensions of 38 x 38 x 26 mm.

The extremely compact design of the housing allows an easy installation in flush-mounted boxes or in a cable duct.

Dimensional drawing:



Schematics:



Installation only by a professional electrician according to the local regulations!

**Technical specifications:**

Dimension (T x B x H)	38 x 38 x 26mm
Weight	85g
Color	Enclosure black
Mounting	In flush-mounted boxes or cable ducts etc.
Environmental conditions	Operation: Temperature -20 ... 50°C, humidity < 85%rH Stock: Temperature -25 ... 65°C, humidity < 95%rH
Protection type / Protection class	IP64, EN-60529 / Appliance Class II
Connections power supply	Flexible 2 x 0.5mm ² (AWG 20), L = 150mm: Red (RD): +, positive pole Black (BK): -, negative pole
Connections relay	Flexible 3 x 1mm ² (AWG17), L = 150mm: Brown (BN): COM, common contact White (WH): NC, normally closed contact Black (BK): NO, normally open contact
Power supply	12-24 VDC
Power consumption	0.7W
Relay switching capacity	10 Amp. / 230 VAC (note inrush current of load)
Standards	Low Voltage Directive (LVD) 2014/35/EU, EN 60669-2-1 Electromagnetic compatibility (EMC) 2014/30/EU
CASAMBI Modul Standards	Bluetooth Wireless Control
Switching times	Configurable with the Casambi application (App Store, Google Play)
Applications	Switching on of loads e.g. lamps etc.
Scope of delivery	1 Relay Module

Compatible devices:**Range:**

CASAMBI uses mesh network technology so each CBU-ASD acts also as a repeater.

Longer ranges can be achieved by using multiple CASAMBI units.

Range is highly dependent on the surrounding and obstacles, such as walls and building materials.

