



Order Codes

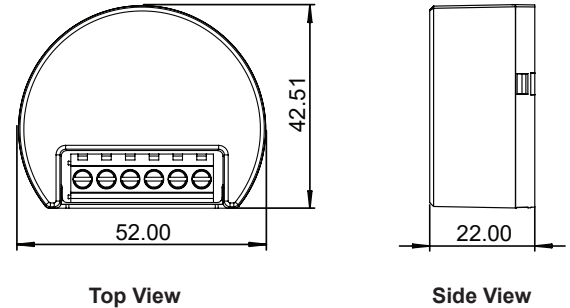
Product SKU	Description
LIGA.AIR.DIM.300	Phase Dimmer 300W
LIGA.AIR.DIM.300ZE	Strain Relief/Contact Protection

Technical Specification

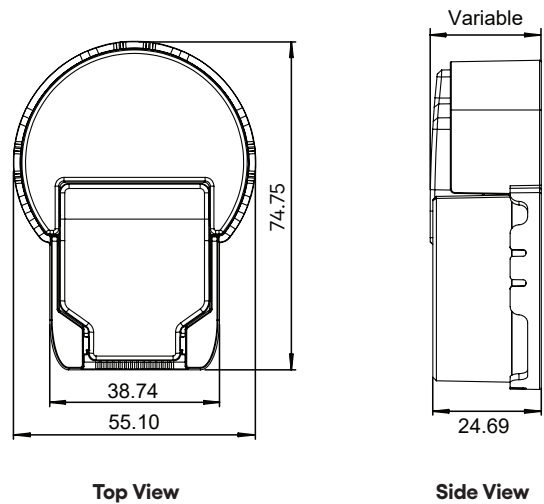
Control	Casambi
Wireless Range	98m/LR 180m (OA LOS)
Supply	100-277VAC 50/60Hz
Max Phase Dim Output	1.36A Capacitive 1.36A Resistive
Type	Trailing Edge
Max Inrush Current Protection	90A @ 1ms Short Circuit, Soft Start , Zero Crossing, Surge 2kV, Overheat 80C
Switch Input	3x Momentary or Latch
Operating Temperature	ta 0 to 55C, tc 80C
Wiring	Loop in/loop out
Terminal Capacity	2.5 mm ²
Mounting Screws	2x M3 Flat Head
Screw Centres	25mm
Material	Flame Retardant ABS+PC
Ingress Protection	IP20
Transceiver Frequency	2.4GHz ISM Band
Warranty	5 Years

Dimensions (mm)

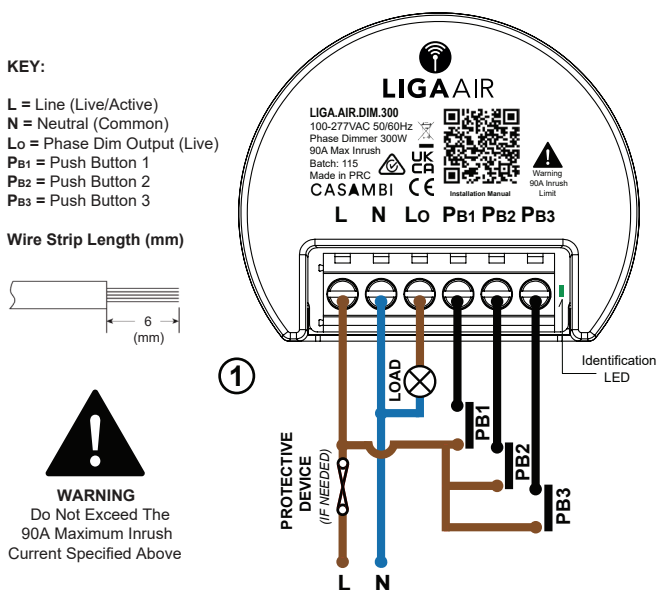
LIGA.AIR.DIM.300



LIGA.AIR.DIM.300ZE (LIGA.AIR.DIM.300 installed)



Wiring Schematic



Safety Information

Install only by a licensed electrician. Turn off and isolate the electrical supply before installation. No user serviceable parts; servicing voids the warranty. Installers must comply with building and safety codes. Refer to relevant standards.

Important Conditions Of Use

Carefully calculate the continuous and inrush current of the total load to ensure it doesn't exceed the maximum (max) as specified or risk DIM.300 damage or failure voiding warranty.

Push button (momentary) or latching switches can be connected to the DIM.300. If a latching switch is connected use Control Priority via the Casambi app to define Closed (Active) and Open (Inactive) states. The DIM.300 uses Live connections through PB1, PB2 and PB3 in order to detect open or closed circuits and activate corresponding scenes, groups etc in the Casambi mesh network. Overheat protection activates at 80C turning output off completely, once the DIM.300 cools down it can be used again by accepting the condition in the app or by cold power cycling the device.

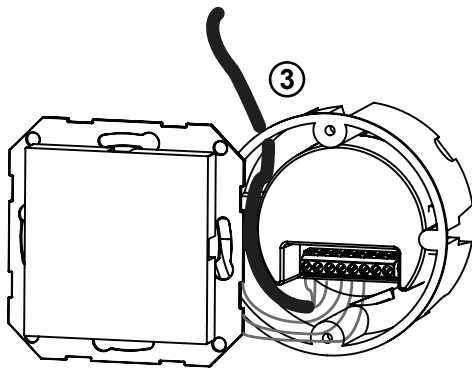
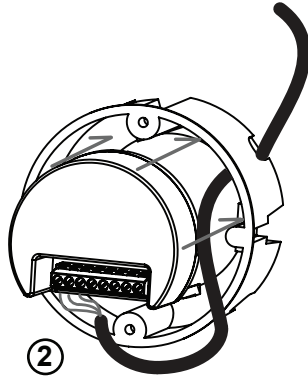


Installation

Unbox the product and carefully inspect it for any signs of damage. If you notice any defects or issues, do not proceed with the installation. Return the product to the original place of purchase for an exchange.

Back Box

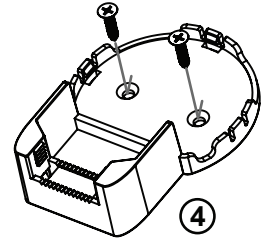
1. Make sure the back box is large enough to house DIM.300.
2. Pull power cable through the box and wire DIM.300 as per fig 1.
3. Push DIM.300 into the back box as per fig 2.



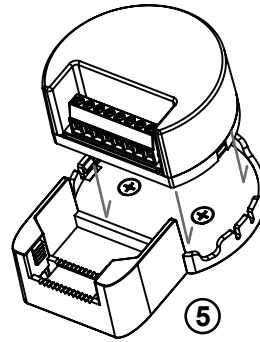
4. Connect push button inputs to their respective push buttons on the switch (see fig 3).
5. Secure the push button switch to the back box as per the manufacturers instructions.

Surface Mount

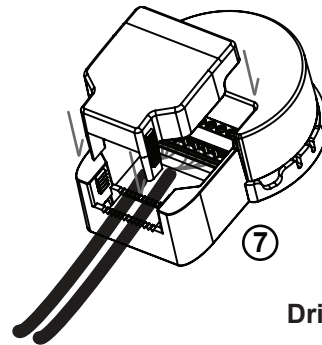
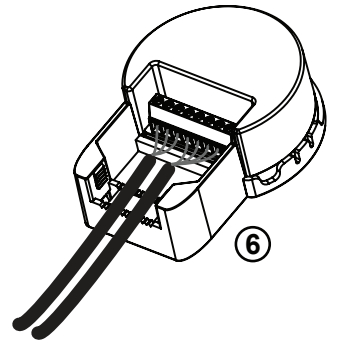
1. Install 2x M3 screws provided with the DIM.300Z (fig 4). Screw centres are 25mm apart.



2. Press DIM.300 into DIM.300Z. The snap locks will click into place (fig 5).

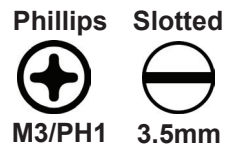


3. Install wiring as per wiring schematic (fig 1).



4. Press the strain relief down until it firmly locks against the cable (fig 7).
5. Install complete.

Driver Requirements



Profiles

Model	Description
LIGA.AIR.DIM.300 DIM/PB 3ch	Trailing Edge Dimmer designed for Resistive and general LED loads with 3 switch inputs (Lin) (default)
LIGA.AIR.DIM.300 DIM/LEDB/PB 3ch	Trailing Edge Dimmer designed for SMD LED Bulbs with 3 switch inputs (Lin)
LIGA.AIR.DIM.300 DIM/FILA/PB 3ch	Trailing Edge Dimmer designed for Filament LED Bulbs with 3 switch inputs (Log)
LIGA.AIR.DIM.300 RELAY/PB 3ch	On/Off Control with 3 switch inputs