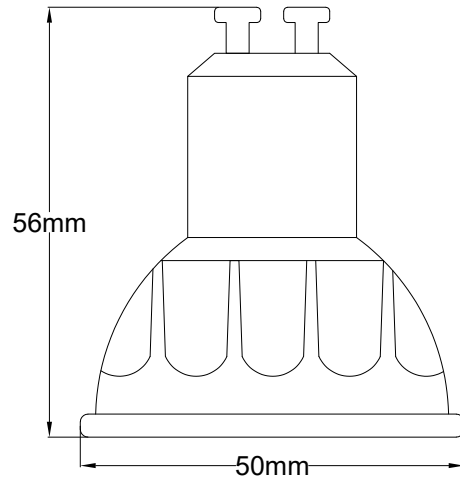


Item name	LED light bulb GU10 TW
Ordering code	LIGA.AIR.GU10.TW

## LED light bulb GU10 TW



### Description

The Casambi GU10 LED Bulb is a Casambi-enabled, energy-efficient lighting solution perfect for a variety of indoor applications. It offers high color rendering and exceptional beam quality, making it ideal for settings requiring precise and vibrant illumination. Available in beam angle of 28/40/60 degree, this bulb features Casambi compatibility and a Tuneable White (TW) function, allowing for flexible lighting control and customization.

GU10 bulbs are energy-efficient and deliver excellent illumination output. Their high CRI and R9 values provide vivid and accurate color representation, making them a great option for color-critical applications.

### Technical Information

Voltage	220-240V, 50/60Hz
Output	410lm
Wattage	4.9W
Color Temperature	2200-4000K (Tuneable white)
CIE Metrics	CRI=93, R9=90
TM30 Metrics	Rf=88, Rg=99
Whiteness Index	Rw=100
Beam Angle	28°
Energy Efficiency	F
<u>Operating Temperature:</u>	
Minimum	-20° C (ambient)
Typical	67° C (base)
Maximum	80° C (base)
<u>Profiles:</u>	
37513	Single Color 2200K
37514	Single Color 4000K
37515	TW (for fully enclosed fixture)
25019	GU10 Standard TW
Dimensions	56 x 50mm
Control Range*	20m
Dimming	Dim and CCT by Casambi app
Protection	IP20
Color Finish	White (W)
Applications	Hotels & Hospitality, Galleries & Museums High-End Retail
Certificates	CE (EN62560, EN62479, EN55015, EN6100-2-3, EN61547)



\*Installing the bulb inside metal enclosure can reduce the control range

We reserve the right to change specifications without prior notification.

# CASAMBI



**IP20 RoHS**

Item name	LED light bulb GU10 TW
Ordering code	LIGA.AIR.GU10.TW

**THERMAL COMPATIBILITY**

Suitable for use in enclosed fixtures, as long as it complies with the maximum heatsink temperature limits stated in this datasheet (80°C Max.).

When installing the bulb inside a enclosed fixture we recommend to use profile #37515, this profile will set the bulb power limit to 3.5W.

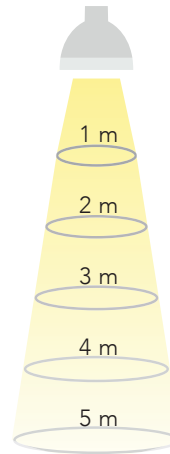
**INTENDED USE & LOCATION RATING**

Intended for use in MR16 GU10 compatible recessed downlights, track lighting and other indoor applications. Suitable for damp locations, not rated for use in wet locations.

**LIFETIME & WARRANTY**

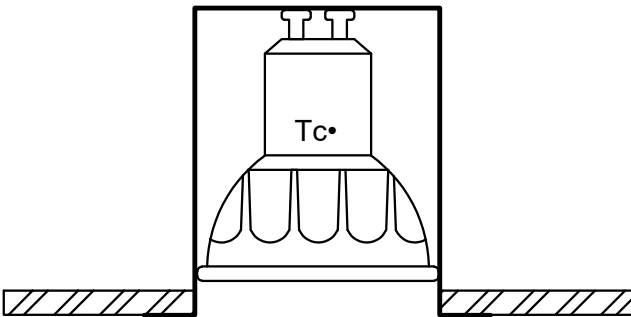
Rated lifetime to L70: 25,000hrs

Warranty: 2yrs

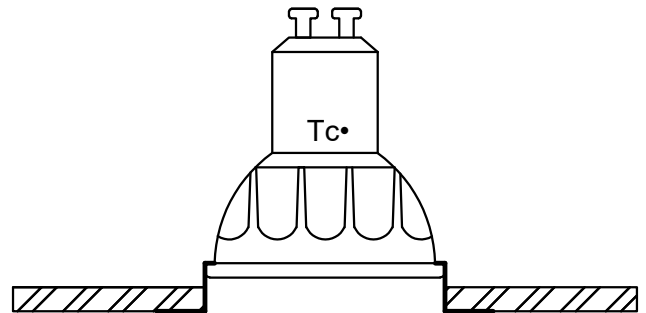


Beam Dia at 50% Intensity (m)	Lux (lx)
0.5	1062
1.0	266
1.5	118
2.1	66
2.6	43

**GU10 Bulb with enclosed fixture (Max. 80° C)\***



**GU10 Bulb with open back fixture (Max. 80° C)**



We recommend to use fixture ID #37515 when installing the bulb inside fully enclosed fixture.

*\*Subject to the maximum heatsink temperature limit*

*\*Installing the bulb inside metal enclosure can reduce the control range*