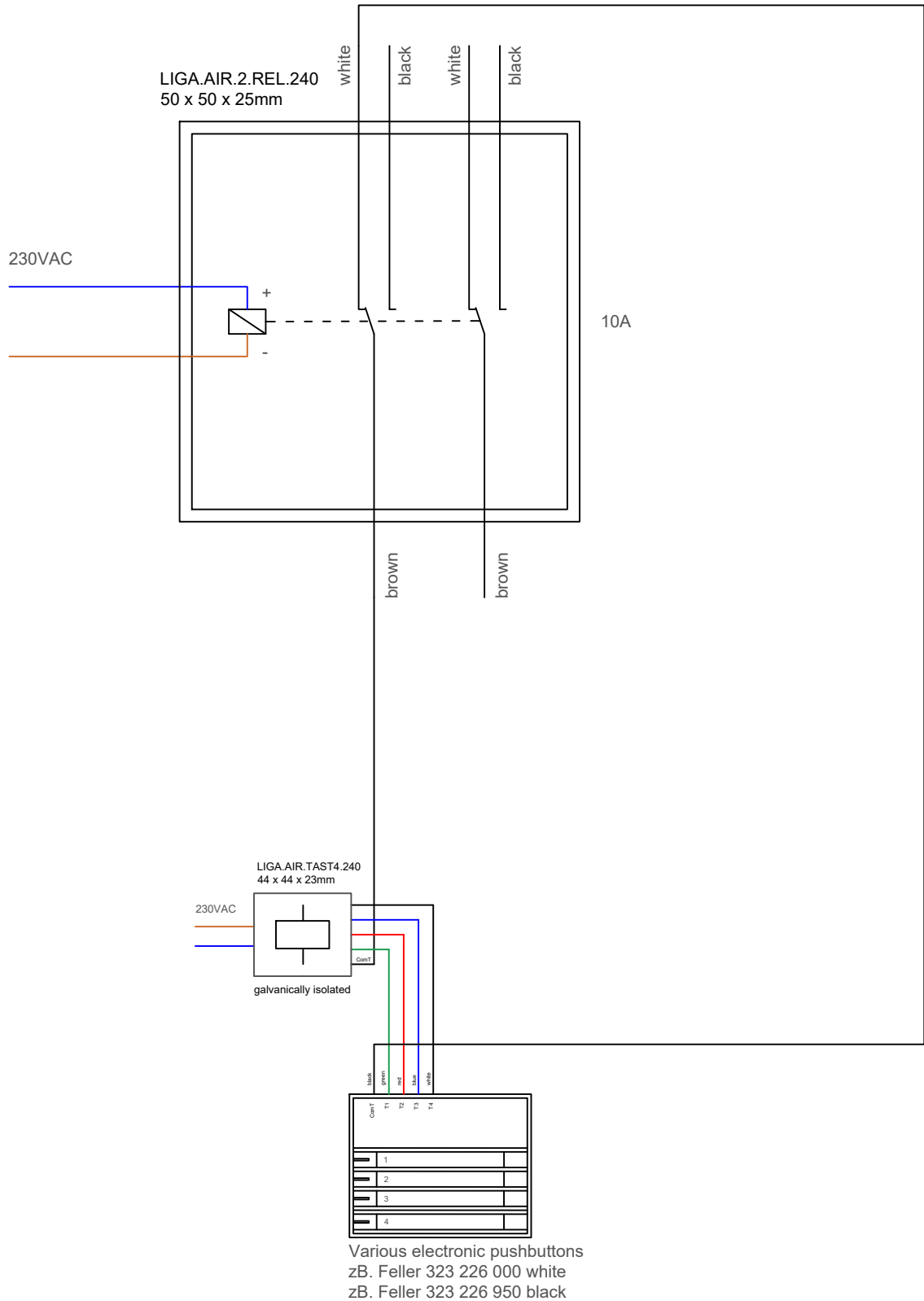


Casambi push-button LIGA.AIR.TAST4.240 lock and unlock via a relay



LIGA AIR

LICHTTEAM AG
Stationsstrasse 89
6023 Rothenburg

+41 41 280 57 57
mail@ligaair.ch
www.ligaair.ch

